

PET瓶片黏胶杂质分离技术

Glue / Impurity Separation of
PET Flakes Washing



摩擦机 Turbo Washer

PP标签和纸标签在PET回收清洗中被剥离瓶体后，仍然有大量黏胶附着在瓶体表面，这些粘胶和混杂在瓶片中的细小杂质对PET的再生利用都将产生重要的影响。摩擦机的作用就是将这些黏胶和细小杂质通过摩擦及离心作用从PET瓶片中分离，以获得更纯净的原料。

There are lots of glue attached on PET flakes although PP labels and paper labels are separated from PET bottles by washing. These residual glue and small impurities affect rPET applications in the downstream production. Turbo washer removes glue and small impurities from flakes by friction force to produce cleaning rPET flakes.

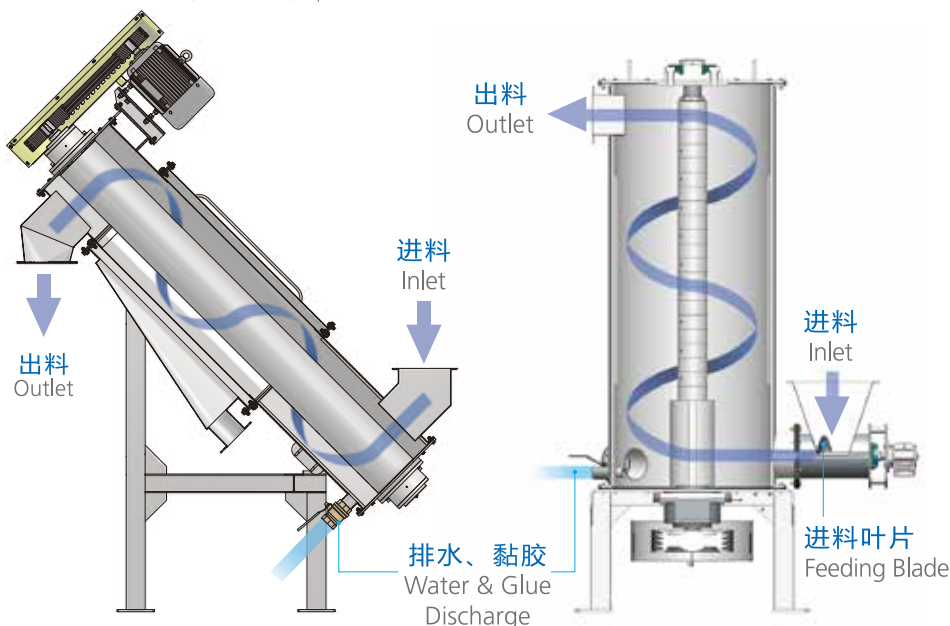
宝绿特新研发的倾斜式摩擦脱水机，结合摩擦和脱水两种功能于一体。机器内部的分段结构，先利用瓶片与瓶片间产生的摩擦力将黏胶去除，后通过高速离心作用将瓶片水份降至5%以下。脱水段的喷淋装置可防止筛网堵塞，脱水叶片及筛网均采用可拆装式设计，方便备件更换及日常保养，叶片使用高速钢材材料，耐磨损，使用寿命达10000吨瓶片产出量。

BoReTech developed a new turbo washer which combined with friction and dewatering functions. Glue will be removed by strong friction among flakes and paddles, then PET flakes moisture rate will be reduced in 5% through centrifugal force. Water spraying device can avoid screen clogging and flush PET flakes by recycled water. Paddles and screen are all demountable which is easy for daily maintenance and repairs. Paddles are adopts alloy steel which has abrasion resistance, service life of paddles can reach 10,000 tons of PET flakes output.

运行示意图 Operation Process

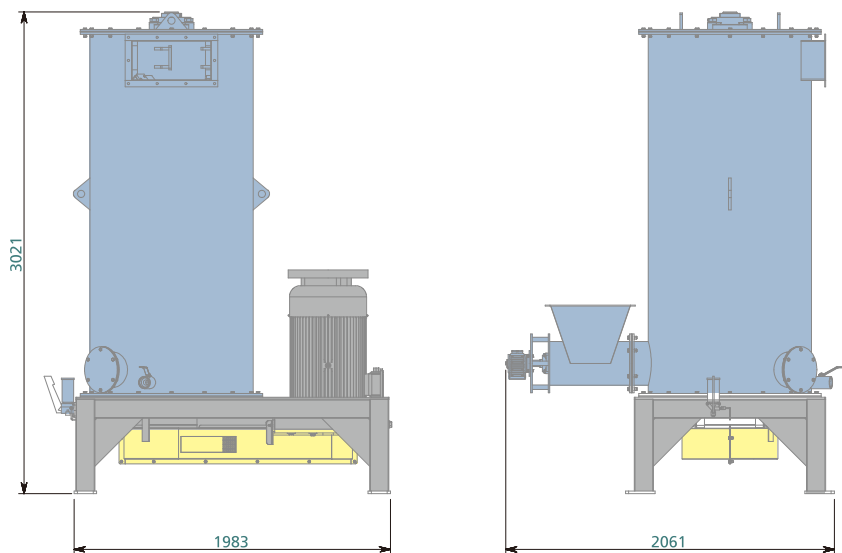
*倾斜式摩擦脱水机(MCTS系列)运行示意图

*Inclined Turbo Washer (MCTS Series) Operation Process



外观尺寸图 Dimensions

MCJ1000



备件 Spare Parts

叶片-应用于MCJ系列

Paddles of Shaft - Applied to MCJ Series

使用寿命：10,000吨

Service life: 10,000 Tons output



筛网-应用于MCTS600

Screen - Applied to MCTS600



参数表 Parameters

型号 Model	处理量 Capacity	功率 Power	转子直径 Rotor Diameter	转速 Rotation Speed	外形尺寸 Dimensions
单位 Unit	(kg/h)	(kW)	(mm)	(r/min)	(mm)
MCJ600	1500	37+0.75	600	725	1823 x 1593 x 2176
MCJ800	3000	55+0.75	800	725	1864 x 1721 x 2716
MCJ1000	6000	55+0.75	1000	725	2061 x 1983 x 3021
MCTS600	3000	37	600	1021	3000 x 1200 x 4000

